

# Spin Brightz™

## Instructions

©Copyright Brightz, Ltd. 2019

All rights reserved

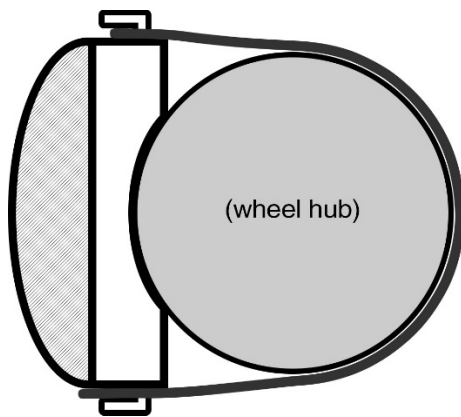
### Step 1 – Pull Battery Tab

Pull the tab from between the batteries to activate product.

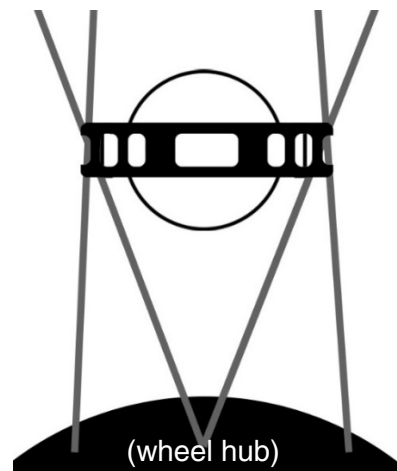
### Step 2 – Install Battery Pack

Using the included silicon strap, you can install the battery pack in 2 places:

- Around the wheel hub



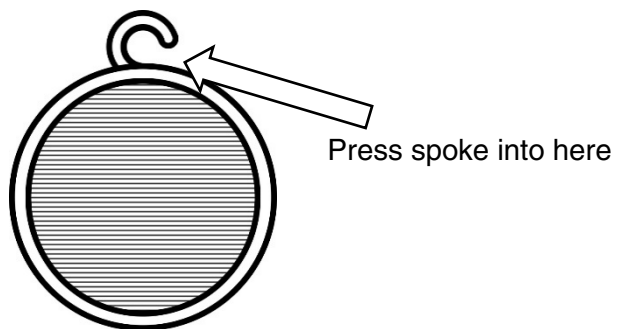
- Between 2 cross sections of spokes



Any excess strap can be cut off if needed.

### Step 3 – Install Light Tubes

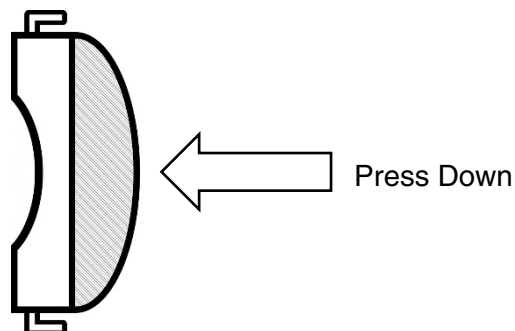
Each tube has a small hook on each end to snap the tubes into place on the spokes. Select the spoke you'd like to install the tube on and press the hook onto the spoke.



### Step 4 – Turn on Lights

Spin Brightz have 3 light settings: Fast flashing, slow flashing, and constant.

Press down on the dome part of the battery pack once for fast flashing, twice for slow flashing, and three times for constant.



**IMPORTANT BATTERY INFORMATION:** SpinBrightz™ includes 2 CR 2032 batteries.



**WARNING!** Keep watch batteries away from children. If swallowed, contact a doctor immediately. Batteries contain chemical substances. They should be disposed of properly according to local regulations.

*Do not mix old and new batteries and do not mix alkaline, standard (carbon-zinc) or rechargeable (nicad, ni-mh, etc.) batteries.*



**Caution:** Batteries may explode or leak, and cause burn injury if recharged, disposed of in fire, mixed with a different battery type, or inserted backwards. Replace all used batteries at the same time. Clean battery contacts and contacts on the device prior to installing. Remove batteries if item will not be used for long periods of time. When battery expires remove promptly.

**Brightz, Ltd.**

8000 Yankee Road, Suite 225, Ottawa Lake, MI 49267

Email: [info@brightz-ltd.com](mailto:info@brightz-ltd.com)

Visit us at [www.brightz-ltd.com](http://www.brightz-ltd.com) for more fun products!